



FORGED CAP TIPS



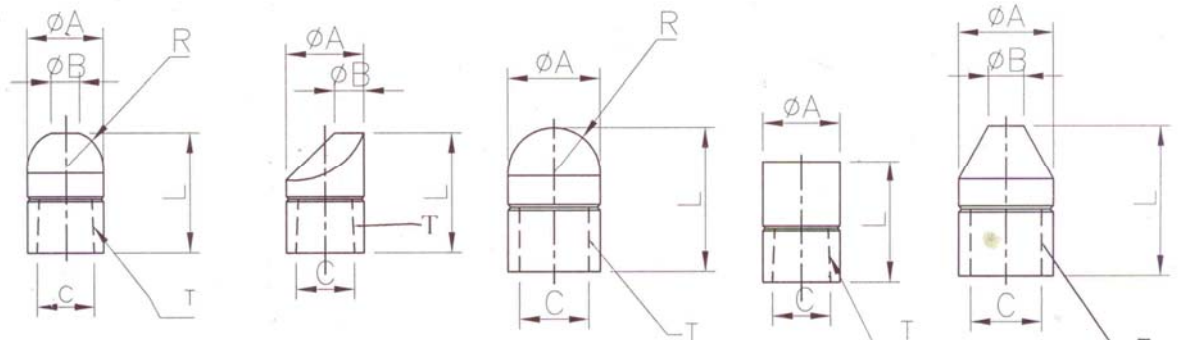
ZrCu

CrZrCu

BeCu(0.6%)



FORGED CAP TIPS



PART NUMBER	LENGTH	DIMENSIONS				
		SHAPE	ϕB	ϕC	T	R
$\phi 13$	18.0	DOME	6.00	10.00	1/9.6	6.5
	20.0	DOME	6.00	10.00	1/9.6	6.5
$\phi 16$	20.0	DOME	6.00	12.00	1/10	8.00
	22.0	DOME	6.00	12.00	1/10	8.00
	23.0	DOME	6.00	12.6	1/9.6	8.00
	25.0	DOME	6.00	12.7	1/10	8.00

SEAM ENGINEERS

95/8,19th Street, M.I.D.C., SATPUR, NASIK-422 007(India)

PH : 0091-253-2350680 / 2352180 / 2353382

Fax : 0091-253-2351780 E-MAIL : co@nashrobotics.com

WEBSITE : www.seamengineers.com

ISO 9001 Company

